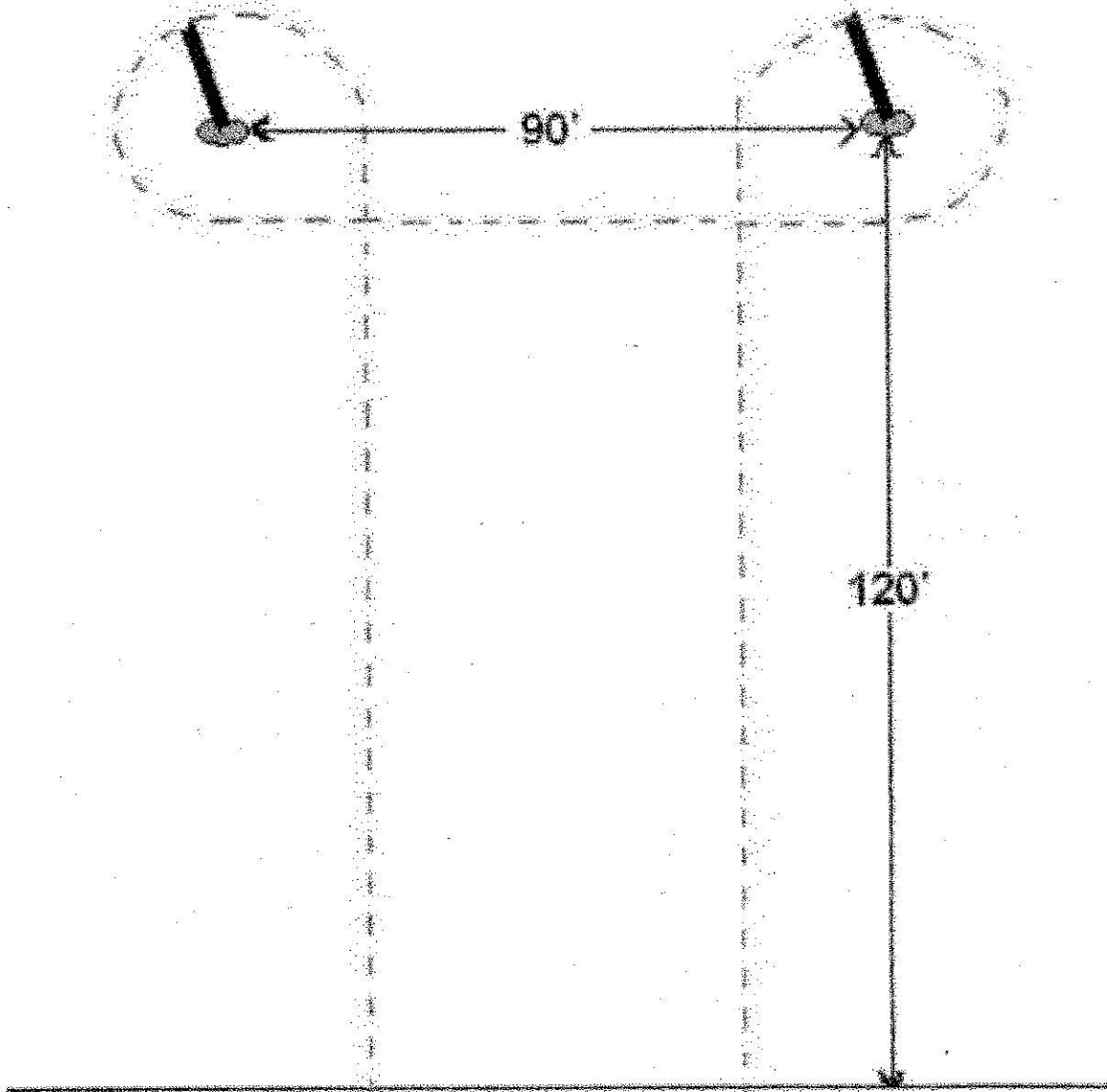


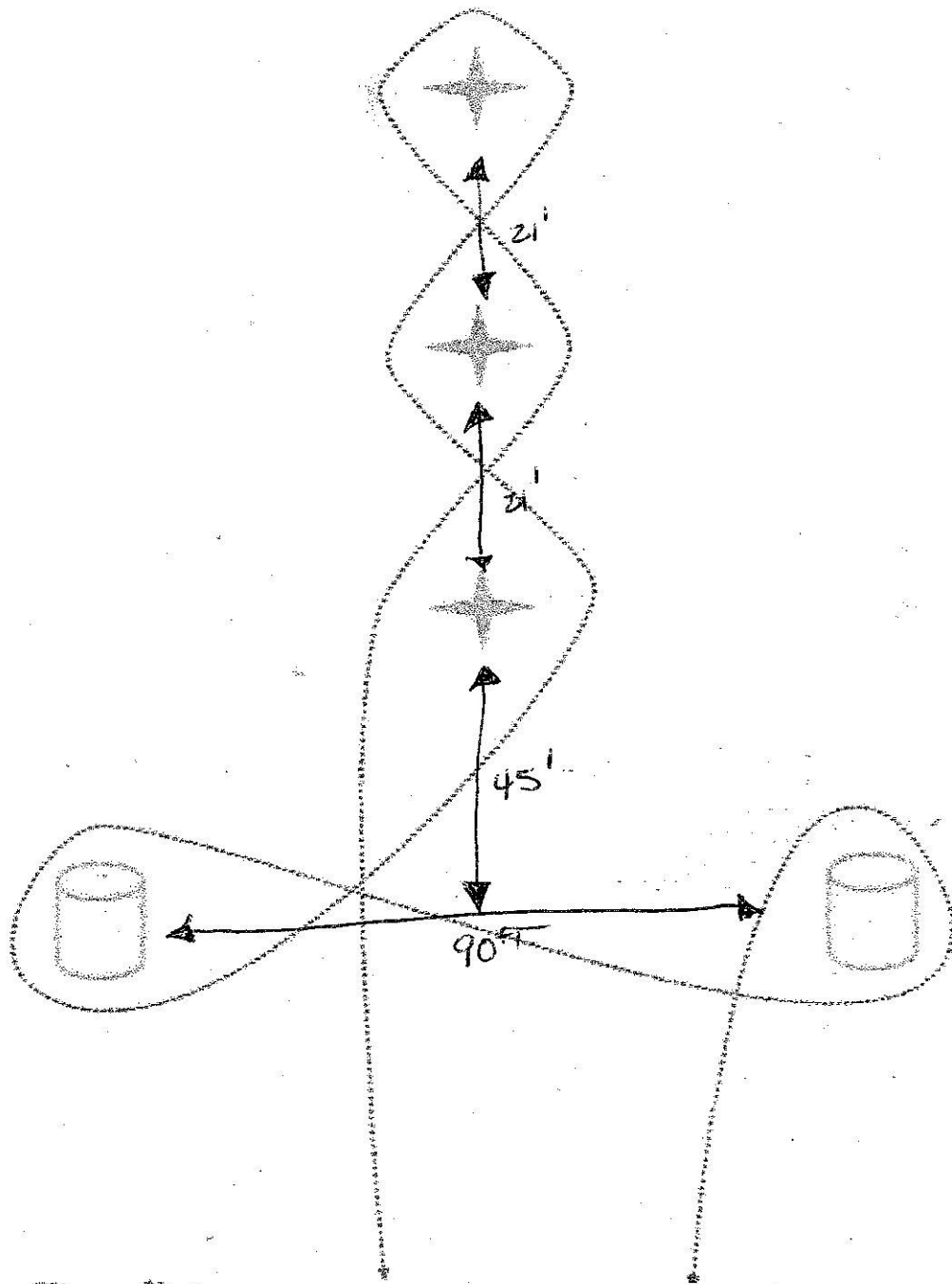
# Birangle



Timer Line

Left or right hand pattern may be used

# PEPPERMINT TWIST



Timer line



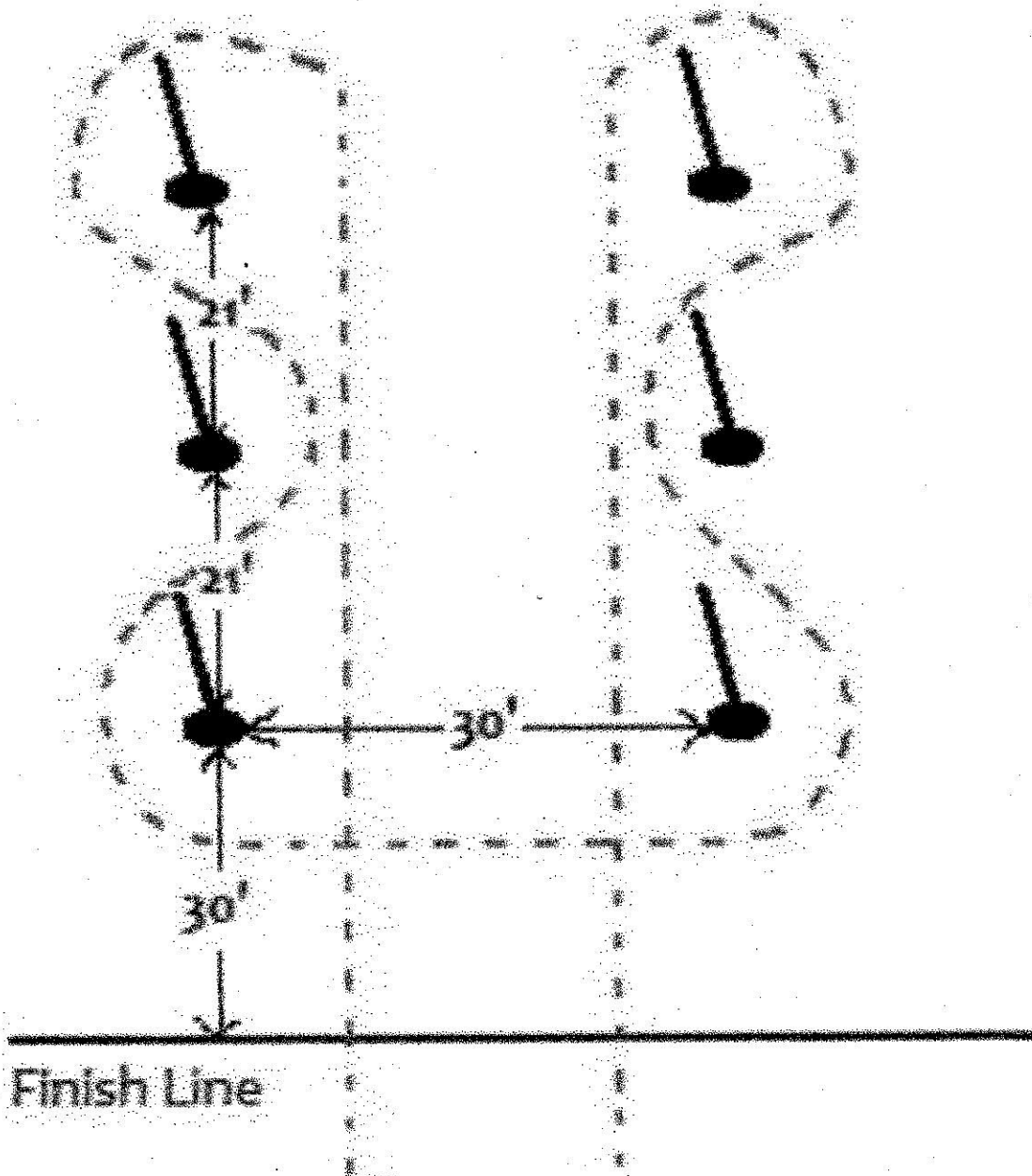
= Pole



= Barrel

LH or RH PATTERN

# Butterfly



Left or Right hand pattern may be used.